

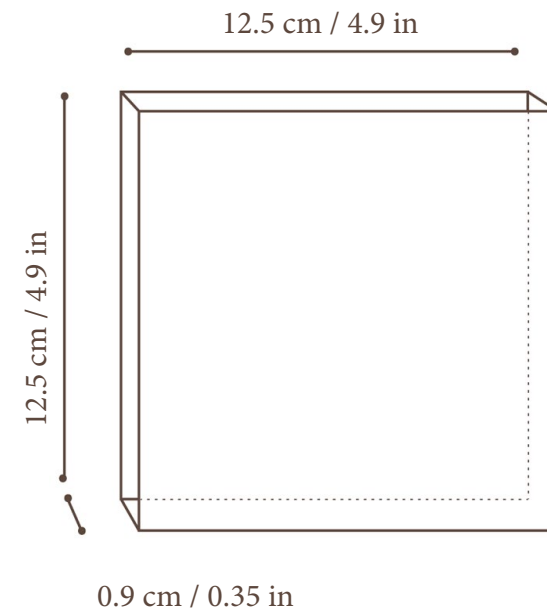
Petra Palumbo

EVERYTHING YOU NEED TO KNOW ABOUT THE DELFT TILES

Each Delft tile has a different illustration that allows you to tell your own story.

In this modern collection you can choose from animals to food to your favourite things and more.

Whether you are looking to use them in your kitchen, around your fireplace or as a splash back you'll be able to mix and match to add a touch of playfulness and nostalgia to your home.



Designed by Petra, each tile is made in Britain from start to finish and decorated by very skilled artisans.

Petra Palumbo

COUNTRY OF ORIGIN	UK
SUITABILITY	WALLS: Kitchen, Bathroom, Inside cabinets, Fire Surrounds, Inside Hearth only with a Wood Burning Stove
TILE SIZE	12.5cm x 12.5cm / 4.9in x 4.9in
TILE THICKNESS	0.9cm / 0.35in
TILE WEIGHT	20 grams
TILE FINISH	Glazed
TILE MATERIAL	Ceramic
TILE QUANTITY PER m2	64
SAMPLE SIZE	1 x Full Tile

Petra Palumbo

IMPORTANT

Each tile is hand decorated and made to order so designs and colours may differ slightly from the images shown online.

AVAILABLE IN:



Blue

Green

Crimson

Mustard

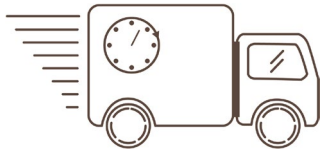
Manganese

Sepia



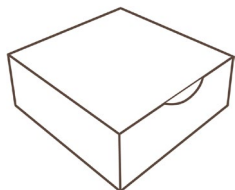
CARE INSTRUCTIONS

Fill a spray bottle with 1/4-cup baking soda, 2 tbsp. dish soap and 2 cups water. Squirt the spray over the backsplash, and wipe down with a damp cleaning rag. Wipe the tile with a damp cloth once more, and follow with a dry towel to prevent water spots.



LEAD TIME

Please allow up to 4 - 6 weeks for orders to be prepared and shipped, however; we tend to fulfil them sooner. If you would like a more specific timescale, please contact us at info@petrapalumbo.com



TILES PACKAGING

Our tiles are delivered to you in full recyclable packaging using FCA cardboard boxes.

Petra Palumbo



RATIO

We get asked what should be the tile design to corners only ratio and to be honest it's an entirely personal preference, some people prefer more minimal, others not but as a general rule of thumb, we suggest about 30%-40% design tiles and 60%-70% corners only.

Most professional decorators will want extra tiles for wastage which is about 10% so please bear that in mind when ordering.



BESPOKE

Have something special in mind?

Design your very own delft tile and we'll make it for you. Whether it's a wedding, birthday or present to yourself we can create bespoke hand decorated tiles for any occasion.

Just send us an email on info@petrapalumbo.com with your idea and we'll take it from there.

*Please note: minimum tile order to include bespoke is £ 500



GROUT

We tend to suggest using plain white grout due to the handmade quality of the tiles with the slightly rough edges as it will give a subtle effect.

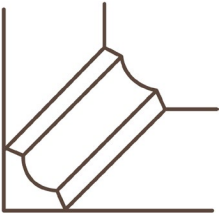
However, it's a completely personal choice to use coloured grout and can look amazing. A contrasting grout will emphasise lines and the design.

You can find wall tile grout in multiple different colours on Amazon or your local bathroom / tile shop.

info@petrapalumbo.com

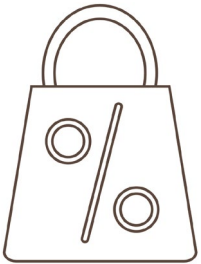


Petra Palumbo



TRIMS

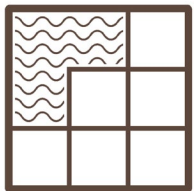
We offer a beautiful selection of ceramic tile trims with different profiles in matching colours to our Delfts. Trims give a clean and professional finish to your tiling project, whilst protecting the edges of your tiles for a long lasting result.



TRADE

We offer a trade discount to interior decorators, should you be interested, please download our trade form from our website (it can be found in the footer).

Alternatively, feel free to drop us a line at info@petrapalumbo.com



LAYOUT IDEAS

Think kitchens, bathrooms, showers, laundry and boot room, guest WC, around the fireplace, door frame or splash back. Make sure you take structural pieces that can't be moved into consideration ie. the stove, sink...etc.

We suggest laying all the tiles out on the floor and playing around with different options to create the pattern you like most.

info@petrapalumbo.com



Petra Palumbo

LAYOUT IDEAS



Petra Palumbo

RATIO EXAMPLES: DESIGN / CORNERS MIX

10-90%-
Blue: Animals



20-80%-
Crimson: Laundry



30-70%-
Green: Gardening



40-60%-
Sepia: Travel



40-60%-
Mustard: Food & Drink
(design with no corners)



Petra Palumbo

COMPLETED PROJECTS

You can also follow Petra on instagram to see more tiles.

www.petrpalumbo.com

Instagram - @petra_palumbo

Scan the QR code to see our Delft tiles
and completed projects on our website

